



STREETLITE HARDWARE



LIGHTWEIGHT
 ●
FLATBASE
 ●
COMPACT

The StreetLite hardware is designed for ultimate portability and performance. The sleek compact build provides trouble-free transport while providing reliable stability. Effortless, adjustable angles ensure each stand is set exactly how you need it. The ergonomic case makes carting your gear simple, delivering a smooth, gig-ready experience.

Hi-Hat Stand..... 2
 Snare Stand..... 6
 Cymbal Stand..... 10
 StreetLite Hardware Pack..... 12
 StreetLite Metro Pack..... 14

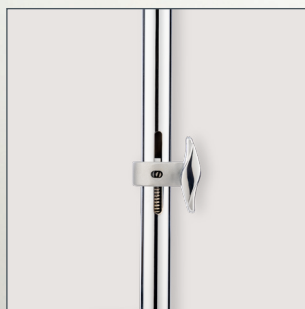
HI-HAT STAND

HSL001

The StreetLite hi-hat stand includes a SafeKeep Unit to keep the collapsed stand intact for transport, an adjustable spring tension tuner with visible settings for desired performance, and a Swivel Legs Base for easy bass drum pedal placements.

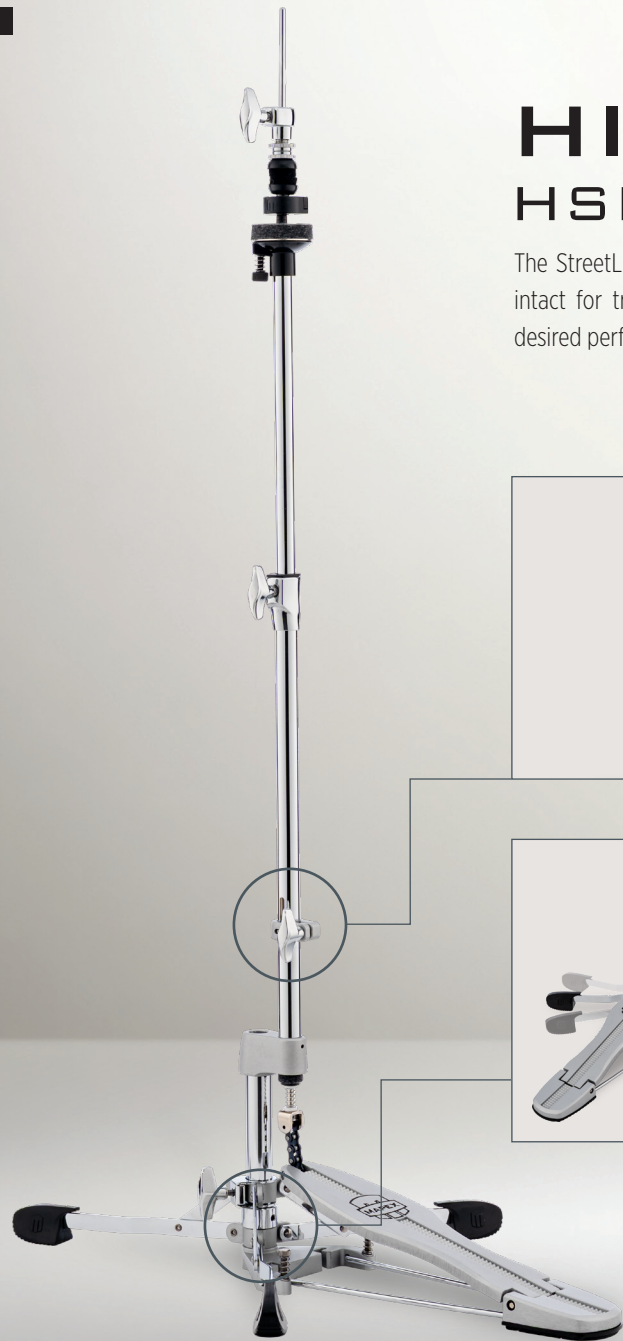
Spring Tension Tuner

Quick, intuitive hi-hat tension control—simply pull up to tighten or push down to loosen, with visible adjustment and no tools or complicated setup required.



Swivel Legs Base

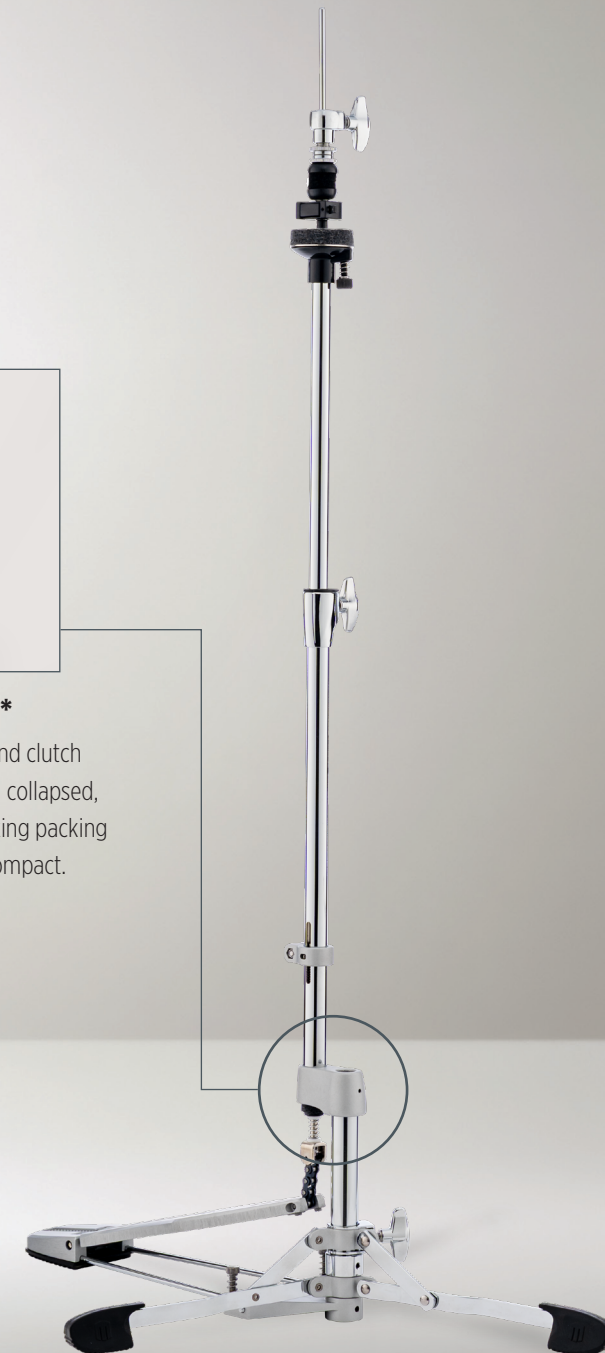
Allows the base legs to rotate independently, making it easy to position bass drum pedals and route cables without interference.



SafeKeep Unit*

Keeps the upper rod, tube, and clutch securely locked together when collapsed, preventing loose parts and making packing faster, cleaner, and more compact.

*Patent Pending

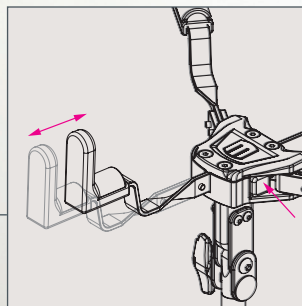




6 SNARE STAND

SSL001

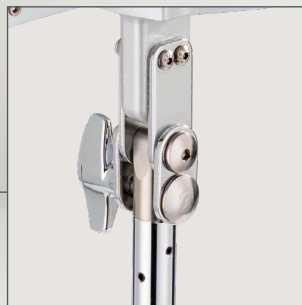
The Snare Stand features a Gearless Tilter for precise angle adjustments and a versatile Snare Basket Trigger that accommodates most snare drum sizes for fast, one-touch snare adjustments. The uniquely engineered SONIClear™ Snare Claws are designed to enhance sonic resonance, delivering improved clarity and tone for snare drums.



Snare Basket Trigger*

A one-touch trigger allows fast basket adjustment when switching snare drums, eliminating the need to loosen and retighten adjustment nuts.

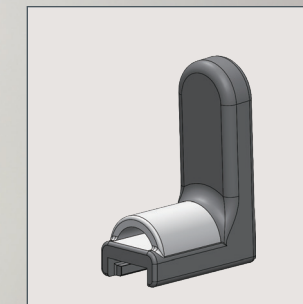
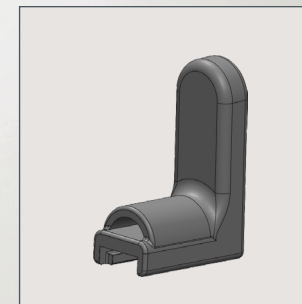
*Patent Pending



Gearless Tilter

Provides smooth, unrestricted angle adjustment, allowing precise positioning for maximum comfort and performance.

Flatbase Construction



SONIClear™ Snare Claws*

Specially designed claws improve snare drum sustain and resonance, enhancing clarity and overall tonal response.

*Patent Pending

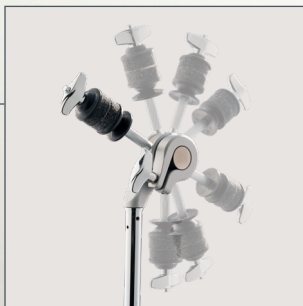


CYMBAL STAND CSL001

The Streetlite cymbal stand features 3-tier height adjustment and a Gearless Tilter for setting preferred height and angle while insuring optimal performance and comfort in any playing situation.

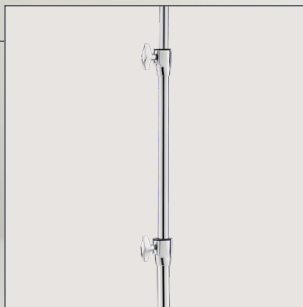
Gearless Tilter

Allows smooth, unrestricted cymbal angle adjustment, making it easy to position cymbals exactly where they feel most natural for every playing style and setup.

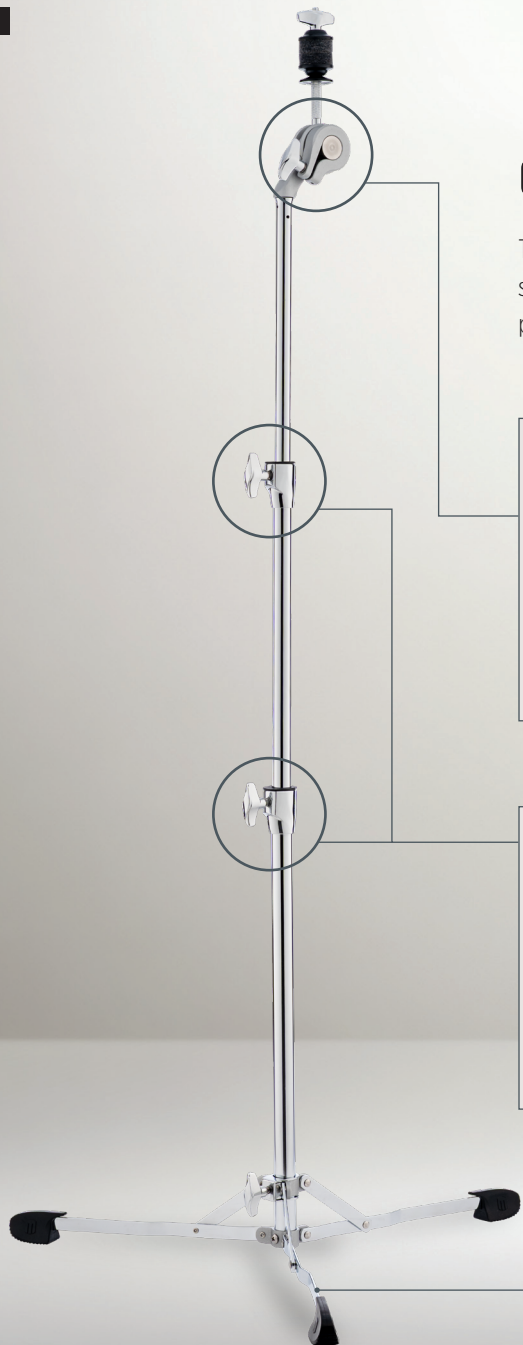


3-tier Height Adjustment

Provides extended range while maintaining a compact, stable design for versatile setup options.



Flatbase Construction



STREETLITE HARDWARE PACK

HPSL001



Includes: 1 Hi-hat Stand | 1 Snare Stand | 2 Cymbal Stands | 1 StreetLite Metro Pack



STREETLITE METRO PACK

The Streetlite Metro Pack is a durable, ergonomic hard case, featuring a removable internal panel, versatile carry handles, and a pressure-relief harness, allowing drummers to transport their hardware securely, comfortably, and stylishly.



TWO WAYS TO CARRY

Hand-carry or shoulder-carry







WWW.MAPEXDRUMS.COM

Copyright © 2026 Mapex Drums

Colors shown in this catalog are representative only and may not be exactly the same as the original.

Specifications are subject to change without prior notice.

No part of this catalog may be reprinted or reproduced in any form in whole or in part. Without the prior written permission of KHS.

Global Version [EN] 2026/01